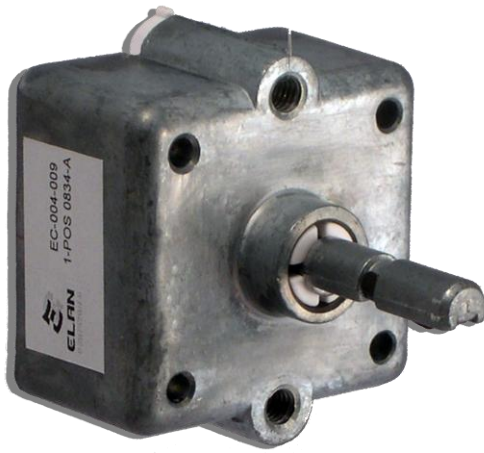


Elan Selector

Electronic Selector with heavy-duty mechanical feel, 10K Ω potentiometer output

PRODUCT DATA



Features

- Electronic performance, heavy-duty mechanical feel
- Selector provides 10k Ω linear signal to electronic controls.
- UL recognized, 99 $^{\circ}$ C
- Eliminates line voltage at control panel typical of mechanical selectors.
- Industry-standard 1/4" metal shaft
- Standard with 1-detent, top dead center, ideal for temperature input.
- Can be customized with up to 12-detents for mode select input

Applications

- Commercial Cooking applications
- Residential cooking applications

General

Elan's metal selector allows OEM to retain the mechanical 'look and feel' required in certain end applications, yet allow the use of electronic controls.

The UL listed selector can be configured with different shafts and detents to suit the OEM. The standard offering (1/4" D-shaft, 1-detent) covers most applications for basic temperature control input. However Elan can modify the selector to provide multiple detents, up to twelve (12) allowing cycle or mode select in various commercial and residential cooking applications.

The housing is threaded to accept #8-32 machine screws on 1.312 centers, a common dimension for most mechanical thermostats, selectors and similar.

Contact Elan Industries at 630-679-2000 or www.elanindustries.com.

SPECIFICATIONS

Ambient Temperature

OPERATING AMBIENT: 32°F to 210°F (0° to 99°C)
 SHIPPING/STORAGE: -40°F to 210°F (-40° to 99°C)

Shaft

Standard: 1/4" diameter with flat per figure below.
 Optional: Shaft can be supplied to suit OEM

Detents

Standard: 1 detent @ top dead center (TDC)
 Optional: Up to (12) detents located at OEM specified points on rotation.

Output

0-10KΩ potentiometer, linear. Addl information upon request.

Connections

3pos connector, JST XA SERIES

Atmosphere

Non-condensing, non-corrosive, non-explosive. Board is not conformal coated.

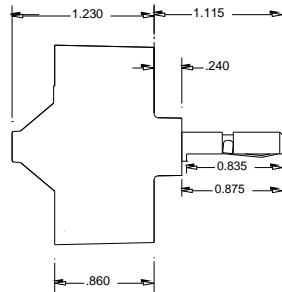
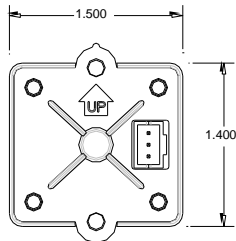
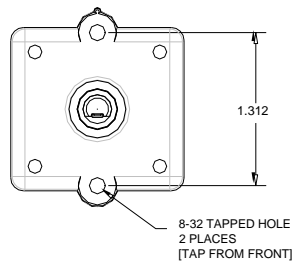
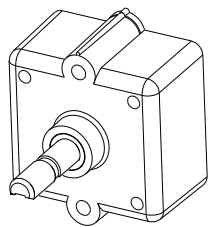
Agency

UL File E252171.

Custom Performance

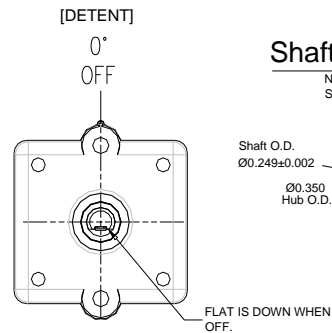
To suit OEM.

PRODUCT DRAWING



Dial Layout

SHAFT IS STANDARD TURN
(NOT PUSH-TO-TURN)



Shaft & Hub Detail

No Scale
 Shown in 'OFF' Orientation

